

Technical Bulletin

Bulletin Number: 481 Revision Number: R-00
Release Date: Nov. 1, 1993 Revision Date: _____

SUBJECT: CAN DROP ADJUSTABLE TAB

MODELS AFFECTED: Narrow column of T-model venders.

REASON: To provide a tab that can be added to the can stop shim to allow the front can of a T-model narrow column to drop horizontally when vended.

ORDER: 1 - 493,010,090.03 can drop adjustable tab
1 - 900,901,890.01 tinnerman clip

To install:

1. Remove existing can stop shim.
2. Measure 2 1/4" from front edge of shim (see figure 1) and place mark.
3. Place the can drop adjustable tab in position with a tinnerman clip. (See figure 2.)
4. Install can stop shim.
5. Load and test for proper vending.

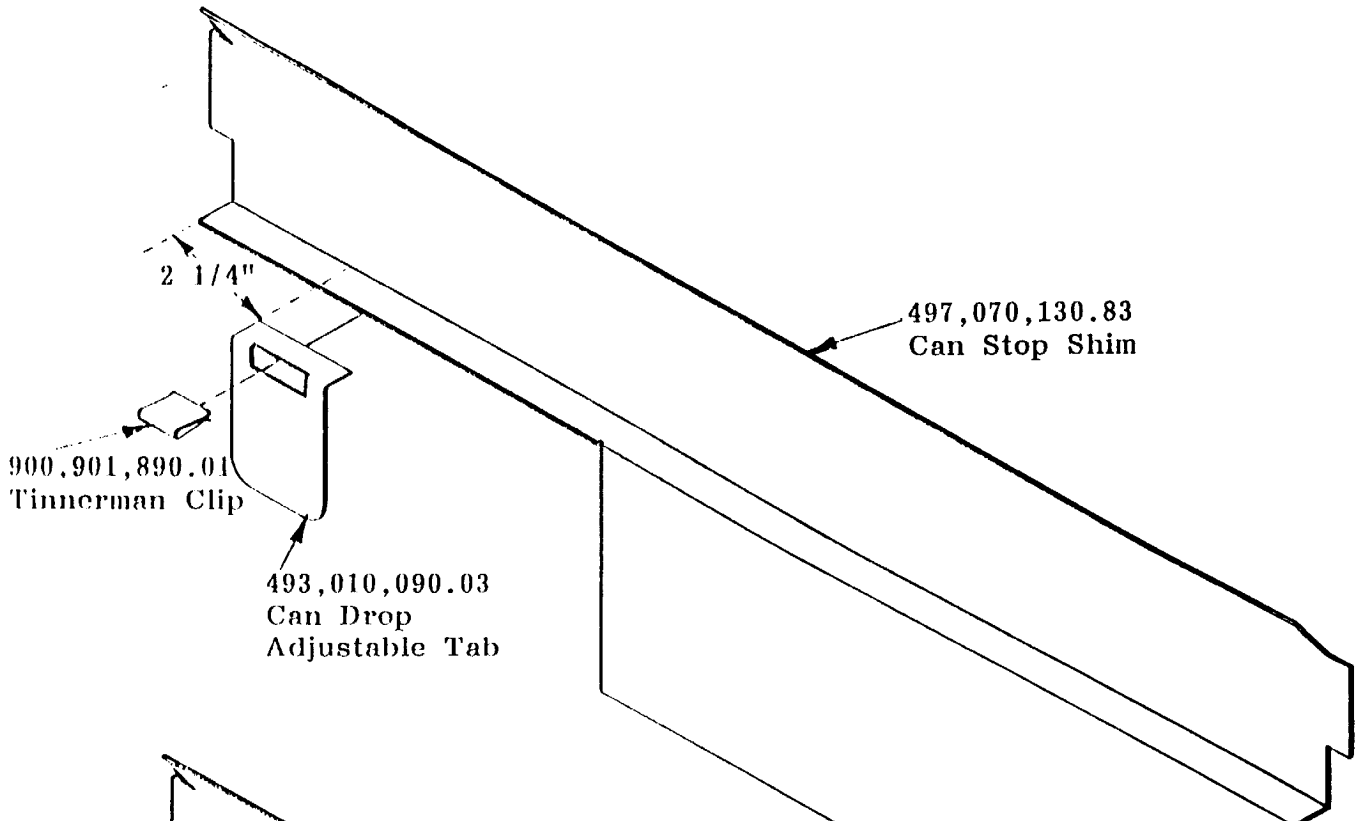


Figure 1

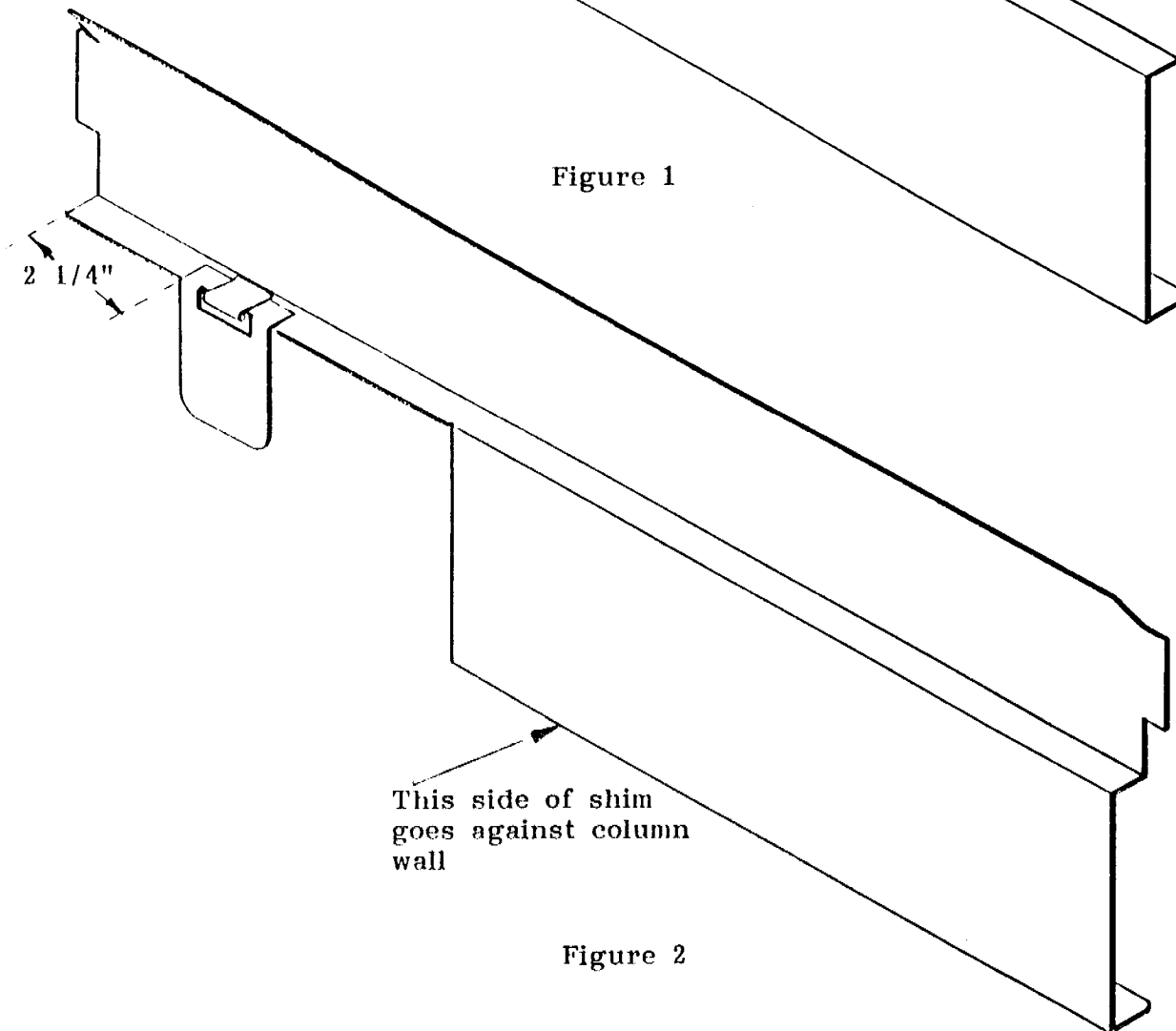


Figure 2